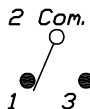


RECOMMENDED PCB LAYOUT

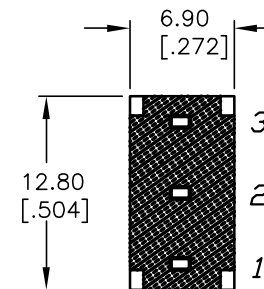
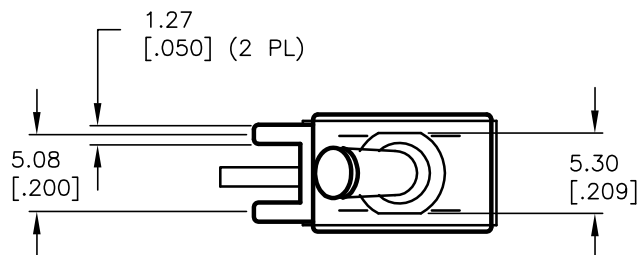


SPDT CIRCUIT CONTACT CONFIGURATION

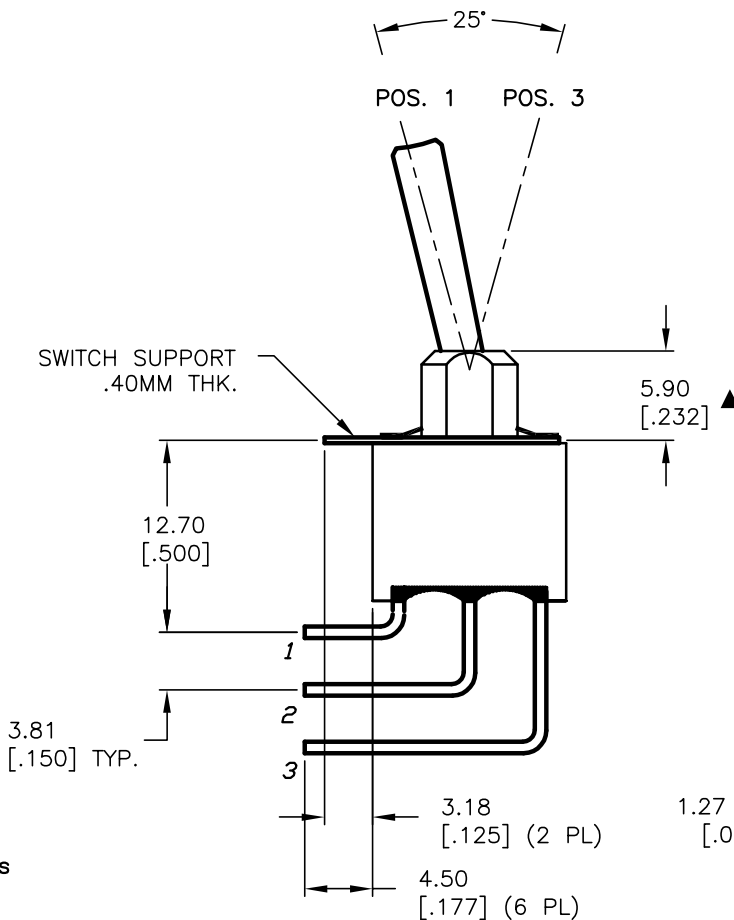
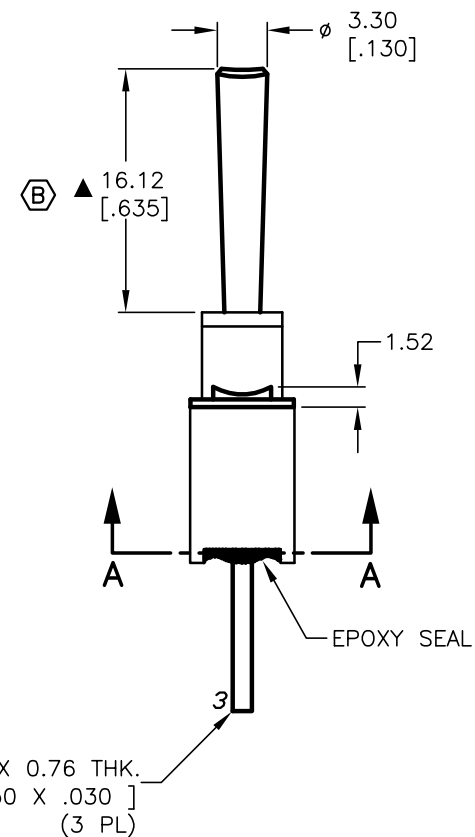
SWITCH FUNCTION		
POS. 1	POS. 2	POS. 3
ON	NONE	ON
2-3	OPEN	2-1

NOTES:

1. ALL DIMENSIONS IN MM [INCH]
2. GENERAL TOLERANCE: X.X=±0.4
X.XX=±0.25
3. TERMINAL NUMBERS FOR REF ONLY
- ▲ 4. RATING: 2 AMPS @250VAC
5 AMPS @120VAC OR 28VDC
5. FIXED TERM. & MOVING CONTACT: SILVER PLATE.
6. MECHANICAL LIFE: 30,000 make-and-break cycles at full load.
7. INSULATION RESISTANCE: 1,000 Mega-ohm min.
8. DIELECTRIC STRENGTH: 1,000 V RMS @sea level.
9. OPERATING TEMP.: -30°C to 85°C
10. ▲ DENOTES CRITICAL PARAMETER.



SECTION A-A



E-SWITCH®

TITLE					100AWSP1T3B4M7QE				
SCALE	DATE	DR	DWG	REV	2:1	6/15/04	AR	T101033	B

B	14236	CORRECTED ACTUATOR HEIGHT	8/17/04	AR
A	14096	RELEASED FOR PRODUCTION	6/15/04	AR
REV.	ECN No.	DESCRIPTION	DATE	CHKD
THE INFORMATION CONTAINED IN THIS DOCUMENT IS PROPRIETARY TO E-SWITCH AND IS NOT TO BE COPIED OR TRANSFERRED				